


2022

**FORT WORTH
STOCK SHOW
& RODEO**

A decorative flourish consisting of a long, sweeping curve that starts under the 'R' of 'RODEO' and extends to the right, ending in a small loop.

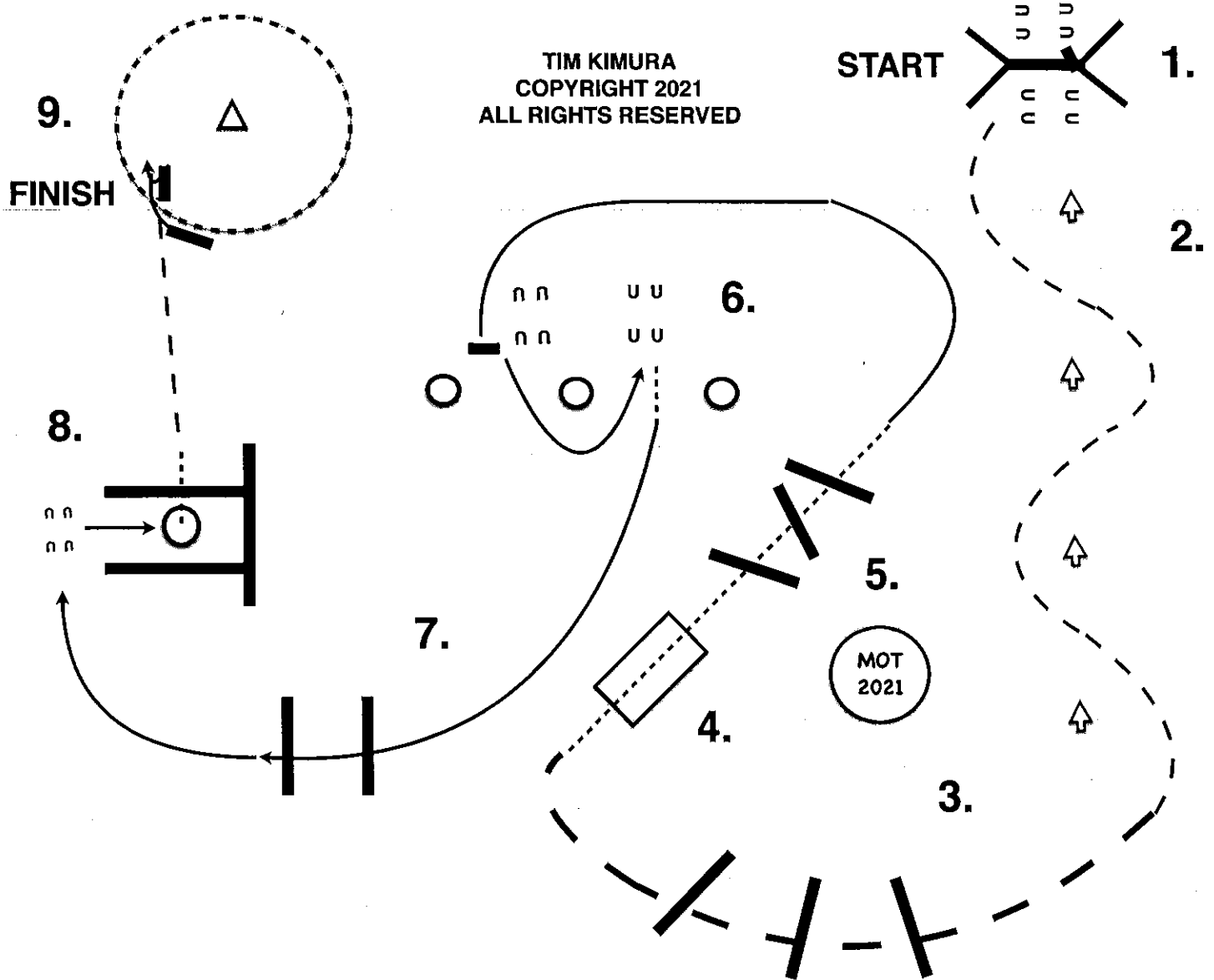
Pattern Book

2022 FT WORTH STOCK SHOW

APHA RANCH TRAIL

ALL AGES AMATEUR YOUTH

TIM KIMURA
COPYRIGHT 2021
ALL RIGHTS RESERVED



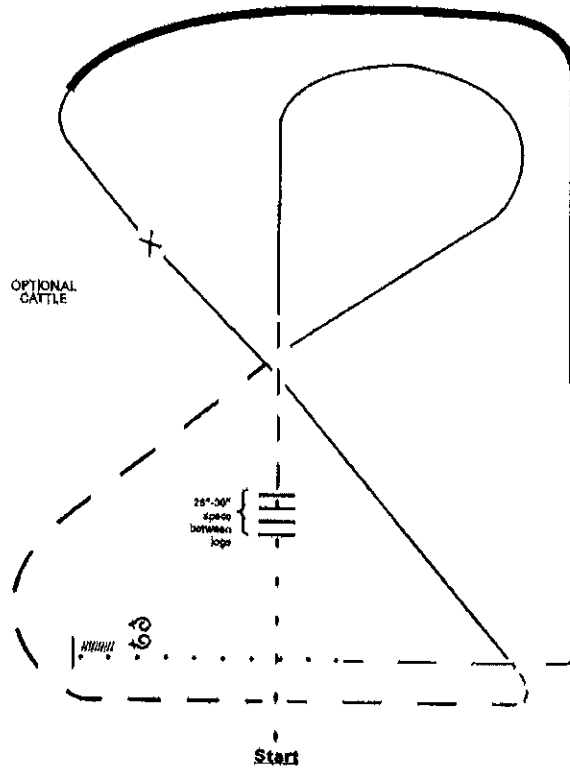
1. Work Gate with Right Hand.
 2. Trot through serpentine, and trot around cones.
 3. Extend the trot over logs.
 4. Walk over Bridge
 5. Walk over logs.
 6. Lope Left Lead, STOP. 1/2 TURN LEFT, Back U-Turn around Markers.
 7. Walk forward A few steps, then Lope Right Lead and then Lope over 2 logs.
 8. Stop side pass right into box, Execute a 360 turn in either direction, Walk out box.
 9. Trot up and grab the Rope, drag the log (walk or trot around marker) and Replace the rope at the hook.
- YOUTH TRAIL IS FINISHED AFTER THE BOX**

Class 144 - Ranch Riding

Ranch Riding Pattern #5

Class 225 - Amateur Ranch
Riding

Class 316 - Youth Ranch
Riding



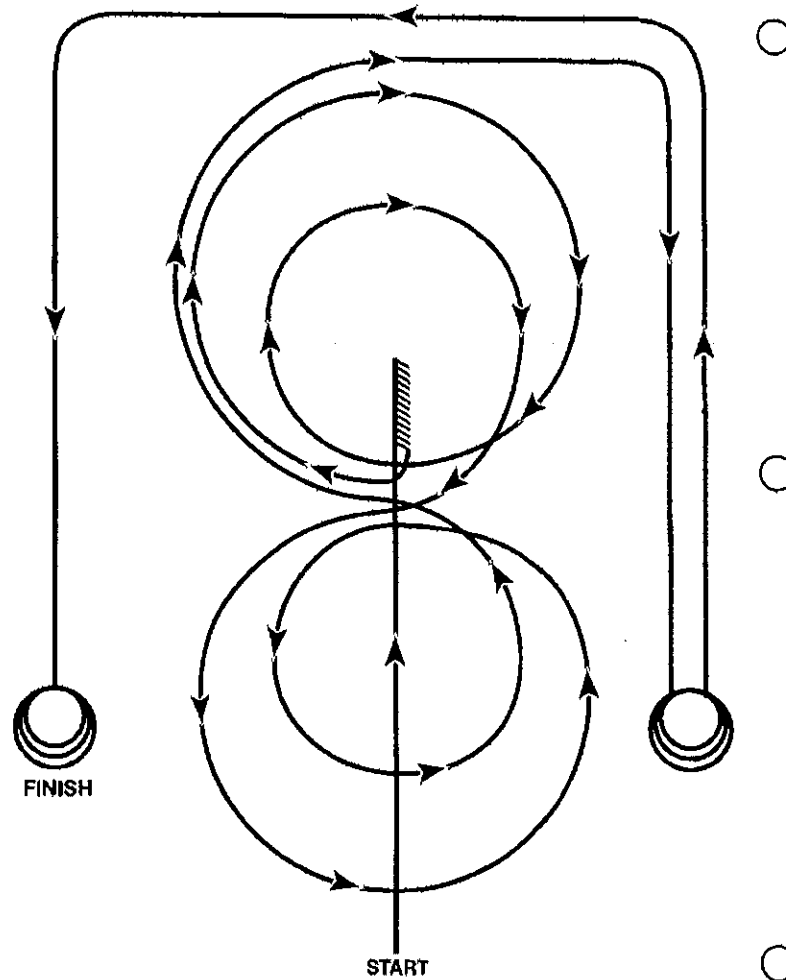
1. Walk
2. Walk over logs
3. Trot
4. Lope right lead
5. Extended trot
6. Trot
7. Lope left lead
8. Change leads (simple or flying)
9. Extended lope (right lead)
10. Collect Lope
11. Trot
12. Walk
13. Stop and back
14. 360 degree turn each direction (either direction 1st) (L-R or R-L)

Class 137 - Ranch Reining

Class 220 - Amateur Ranch
Reining

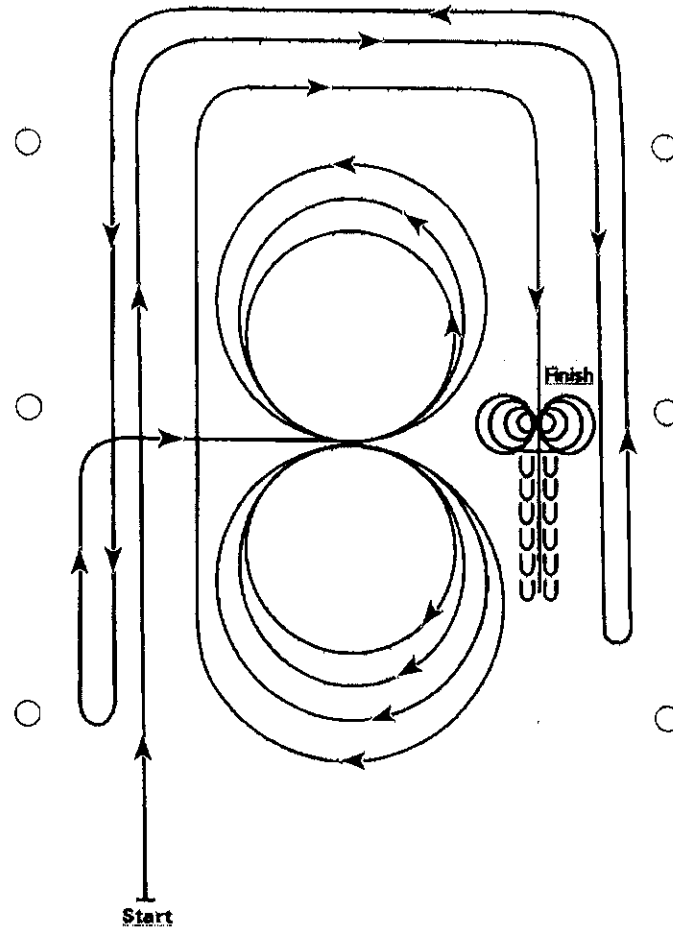
Class 325 - Youth Ranch
Reining, 18 & under

Working Cow Horse Pattern #1



1. Start at end of arena. Run down middle past center marker to a sliding stop.
2. Back up 10 to 15 feet to center. 1/4 turn left.
3. Pickup right lead, large fast circle, small slow circle.
4. Change leads to left, large fast circle, small slow circle.
5. Change leads to right, do not close this circle.
6. Run around end of arena and down the side (approximately 20 feet from fence) past center marker and come to a sliding stop.
7. Complete 3 1/2 spins to the right.
8. Continue back down side and end of arena to other side (approximately 20 feet from fence) go past center marker and come to a sliding stop.
9. Complete 3 1/2 spins to the left.
10. Hesitate to complete pattern.

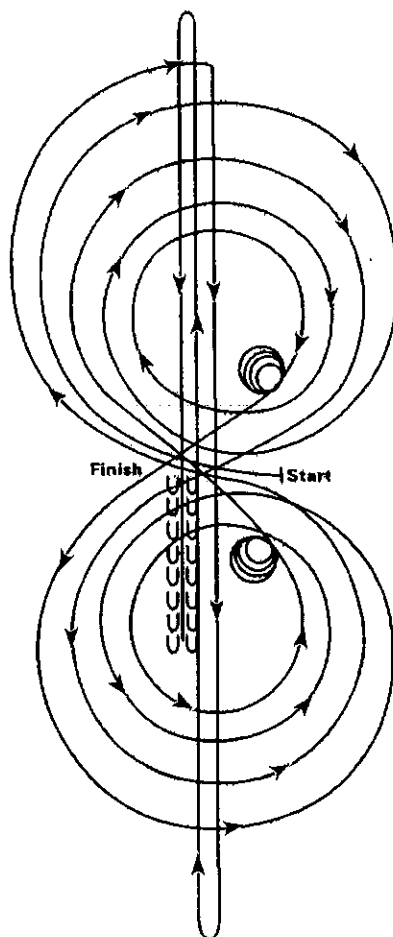
Reining Pattern #3



1. Beginning lope straight up the left side of the arena, circle the top end of the arena, staying at least twenty feet (6.09 m) from the walls or fence, run straight down the opposite or right side of the arena past the center marker and do a left rollback - no hesitation.
2. Continue straight up the right side of the arena, circle back around the top of the arena, staying at least twenty feet from the walls or fence, run straight down the left side of the arena past the center marker and do a right rollback - no hesitation.
3. Continue up the left side of the arena to the center marker. At the center marker, the horse should be on the right lead. Guide the horse to the center of the arena on the right lead and complete three circles to the right: the first two circles large and fast; the third circle small and slow. Change leads at the center of the arena.
4. Complete three circles to the left: the first two circles large and fast; the third circle small and slow. Change leads in the center of the arena.
5. Begin a large circle to the right but do not close this circle. Continue up the left side of the arena, circle the top of the arena, staying at least twenty feet from the walls or fence, run straight down the opposite or right side of the arena past the center marker and do a sliding stop. Back up at least ten feet (3m). Hesitate.
6. Complete four spins to the right. Hesitate.
7. Complete four spins to the left. Hesitate to demonstrate completion of the pattern.

Exhibitor may dismount and drop bridle to the designated judge.

Reining Pattern #4

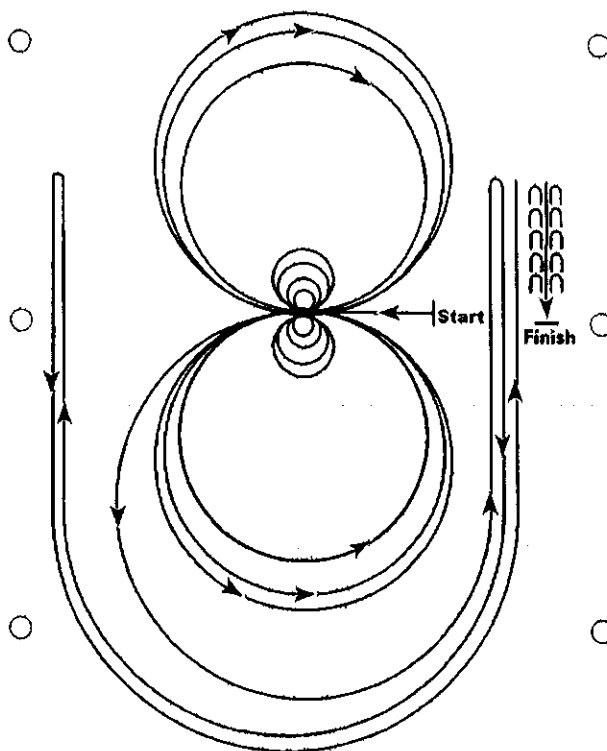


Horses may walk or jog to the center of the arena. *Horses must walk or stop prior to starting pattern.* Beginning at the center of the arena facing the left wall or fence.

1. Beginning on the right lead, complete three circles to the right: the first two circles large and fast; the third circle small and slow. Stop at the center of the arena. Hesitate.
2. Complete four spins to the right. Hesitate.
3. Beginning on the left lead, complete three circles to the left: the first two circles large and fast; the third circle small and slow. Stop at the center of the arena. Hesitate.
4. Complete four spins to the left. Hesitate.
5. Beginning on the right lead, run a large fast circle to the right, change leads at the center of the arena, run a large fast circle to the left, and change leads at the center of the arena. (Figure 8)
6. Continue around previous circle to the right. At the top of the circle, run down the middle to the far end of the arena past the end marker and do a right rollback- no hesitation.
7. Run up the middle to the opposite end of the arena past the end marker and do a left rollback- no hesitation.
8. Run past the center marker and do a sliding stop. Back up to the center of the arena or at least ten feet (3m). Hesitate to demonstrate completion of the pattern.

Exhibitor may dismount and drop bridle to the designated judge.

Reining Pattern #6

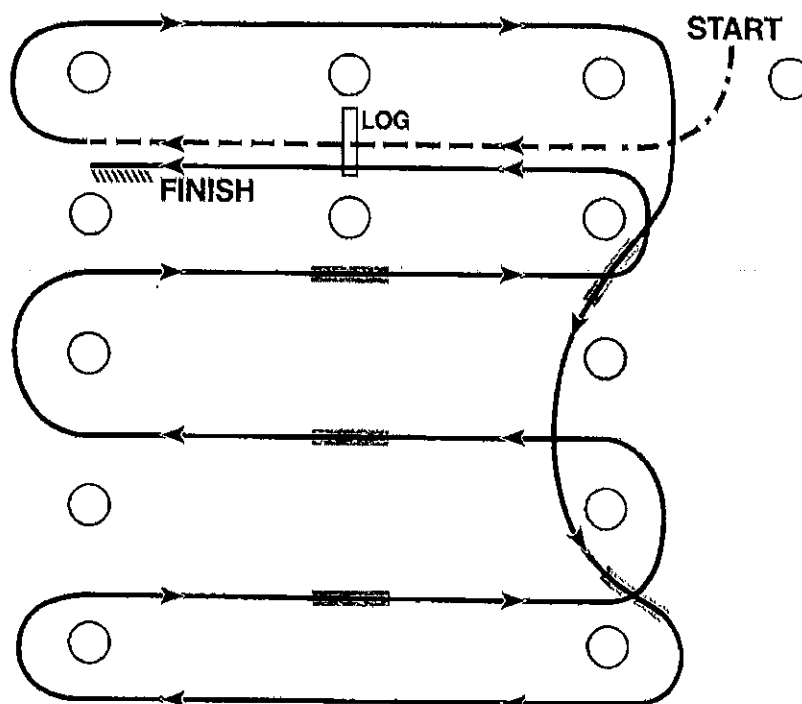


Horses may walk or jog to the center of the arena. *Horses must walk or stop prior to starting pattern.* Beginning at the center of the arena facing the left wall or fence.

1. Complete four spins to the right. Hesitate.
2. Complete four spins to the left. Hesitate.
3. Beginning on the left lead, complete three circles to the left: the first two circles large and fast; the third circle small and slow. Change leads at the center of the arena.
4. Complete three circles to the right: the first two circles large and fast; the third circle small and slow. Change leads at the center of the arena.
5. Begin a large circle to the left but do not close this circle. Run up the right side of the arena past the center marker and do a right rollback at least twenty feet (6.09m) from the wall or fence – no hesitation.
6. Continue back around previous circle but do not close this circle. Run up the left side of the arena past the center marker and do a left rollback at least twenty feet (6.09m) from the wall or fence – no hesitation.
7. Continue back around previous circle but do not close this circle. Run up the right side of the arena past the center marker and do a sliding stop at least twenty feet (6.09m) from the wall or fence. Back up at least ten feet (3m). Hesitate to demonstrate the completion of the pattern.

Exhibitor may dismount and drop bridle to the designated judge.

Green Western Riding Pattern #4



1. Walk at least 15 feet from start cone to the first marker, as drawn, transition to jog, jog over log.
2. Transition to right lead and lope around end.
3. First line change.
4. Second line change, lope around end of arena.
5. First crossing change.
6. Second crossing change.
7. Third crossing change.
8. Lope over log.
9. Lope, stop and back.

Class 139 - Western Riding, all ages

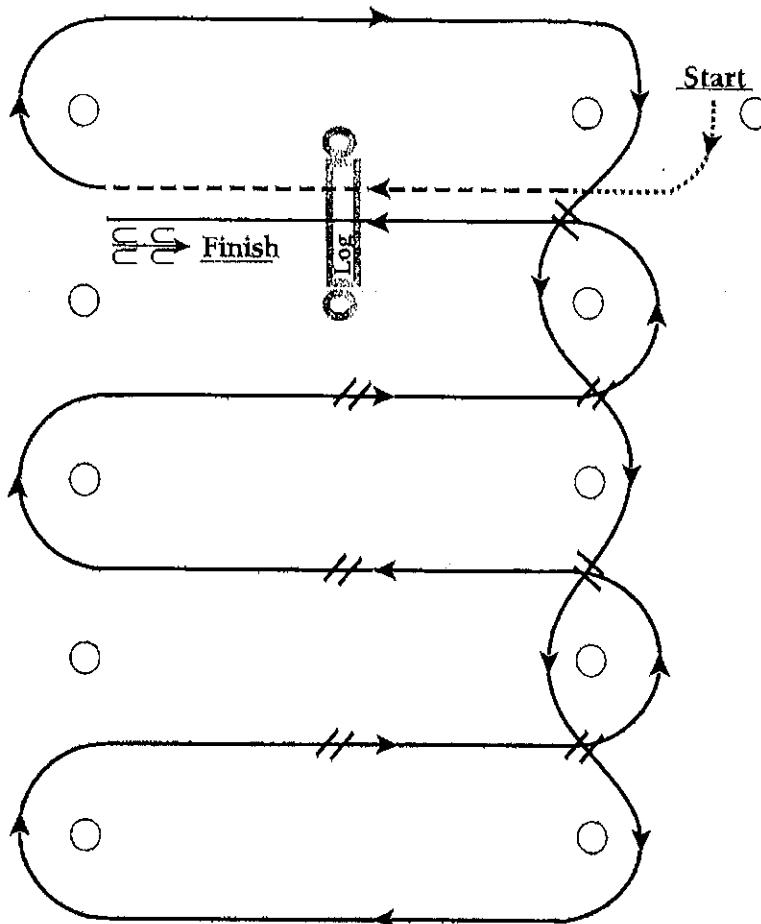
Western Riding Pattern #4

Class 221 - Amateur Western

Riding, all ages

Class 312 - Youth Western

Riding, 18 & under

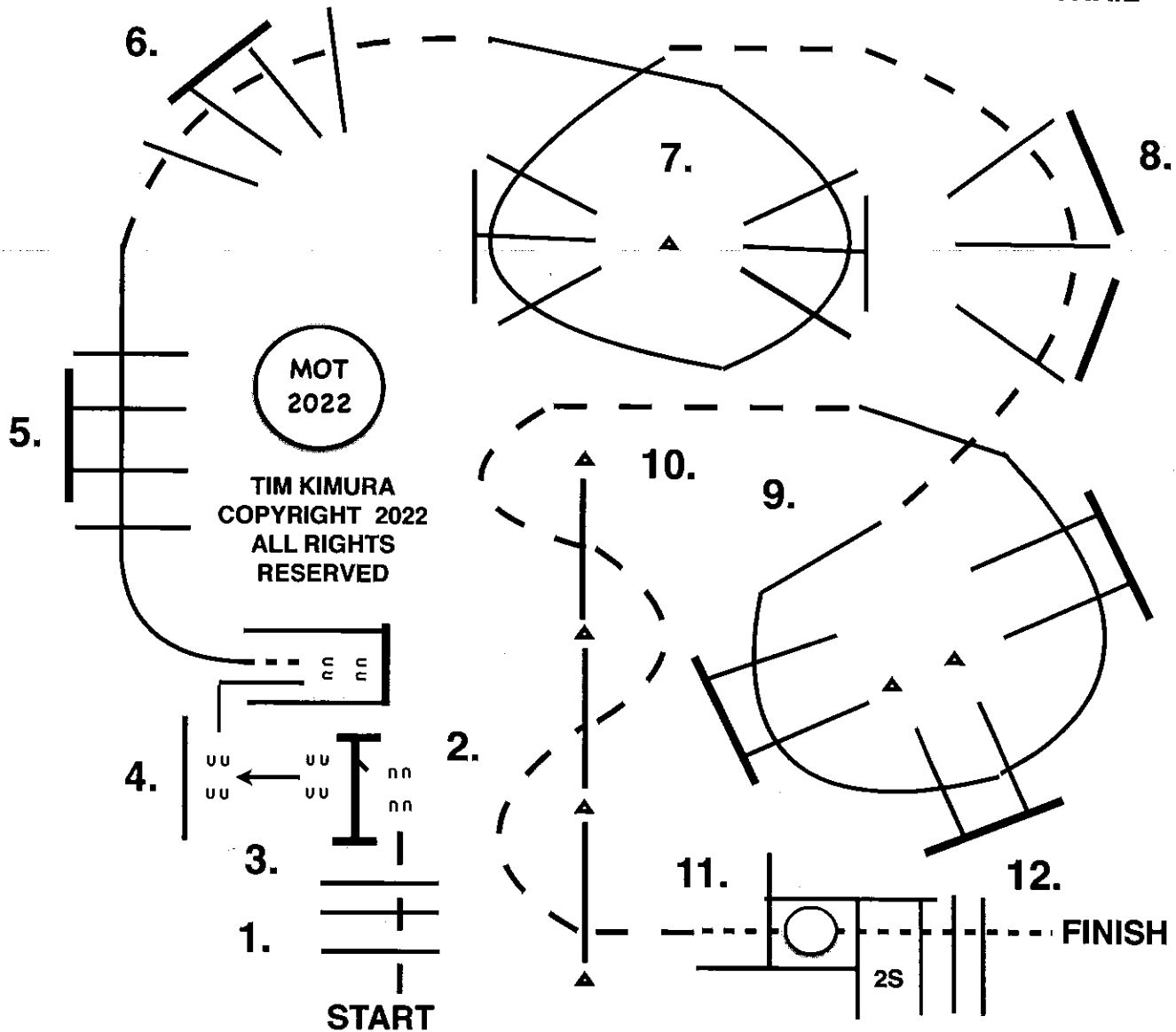


1. Walk at least 15 feet from the start cone to the first marker, as drawn, transition to jog, jog over log.
2. Transition to lope, lope to right around end.
3. First line change.
4. Second line change.
5. Third line change.
6. Fourth line change.
7. First crossing change.
8. Second crossing change.
9. Third crossing change.
10. Lope over log.
11. Lope, stop and back.

2022 FT WORTH STOCK SHOW

APHA TRAIL

YOUTH 18 & UNDER JUNIOR TRAIL AMATEUR MASTERS AMATEUR TRAIL SENIOR TRAIL

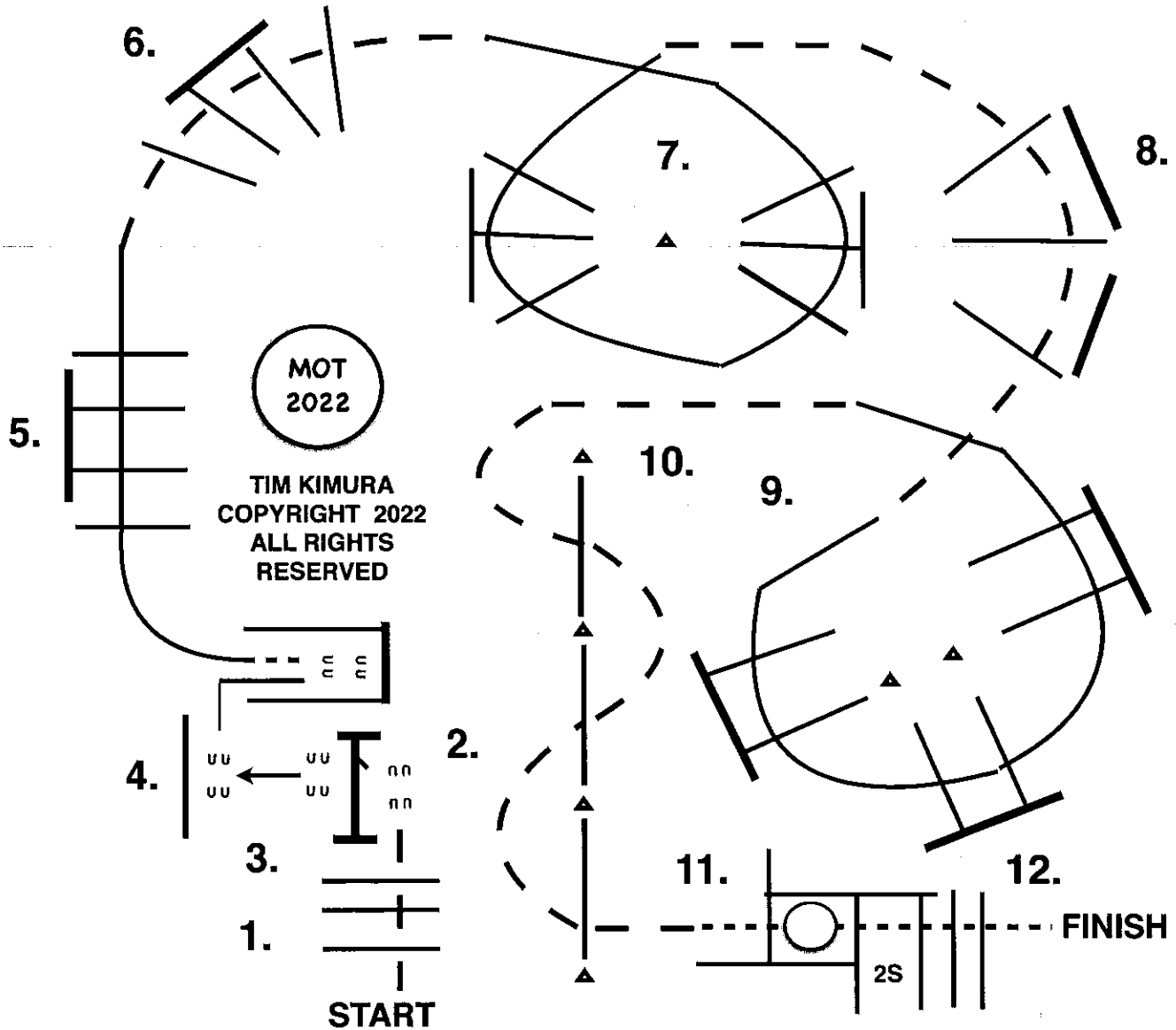


1. JOG OVER POLES, JOG UP TO GATE.
2. WORK GATE LEFT HAND.
3. SIDE PASS RIGHT,
4. BACK AN "L" BETWEEN POLES AND WALK OUT.
5. LOPE OVER POLES (RIGHT LEAD).
6. BREAK TO THE JOG, JOG OVER POLES.
7. LOPE OVER POLES (RIGHT LEAD).
8. BREAK TO THE JOG, JOG OVER POLES.
9. LOPE OVER POLES (LL).
10. BREAK TO THE JOG, JOG THROUGH SERPENTINE, JOG OVER POLES.
11. STOP OR BREAK TO THE WALK, WALK INTO BOX, EXECUTE A 360 TURN EITHER WAY, WALK OUT BOX.
12. WALK OVER POLES.

2022 FT WORTH STOCK SHOW

APHA TRAIL

GREEN TRAIL NOVICE YOUTH TRAIL YOUTH 13 & UNDER NOVICE AMATEUR

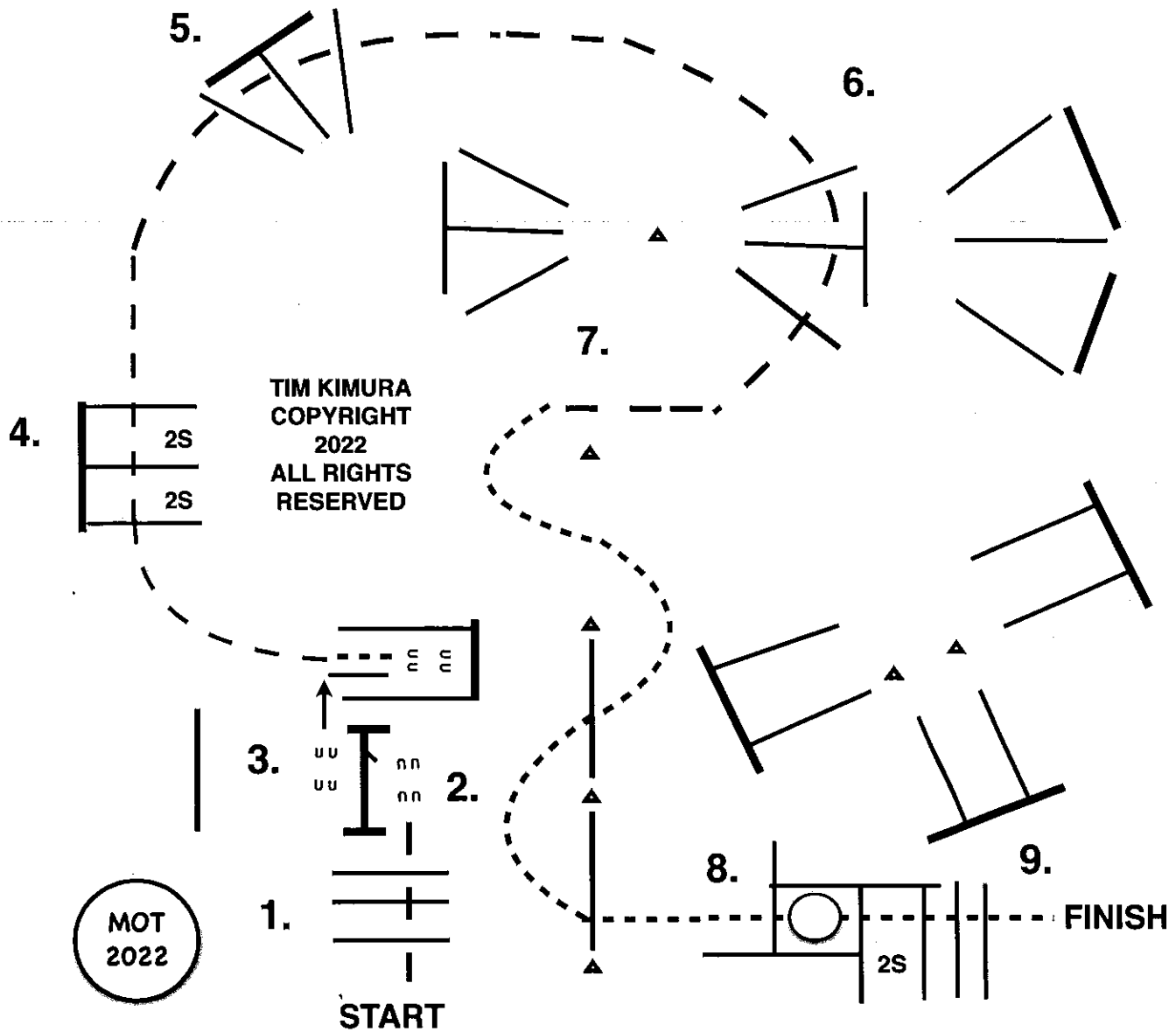


1. JOG OVER POLES, JOG UP TO GATE.
2. WORK GATE LEFT HAND.
3. SIDE PASS RIGHT,
4. BACK AN "L" BETWEEN POLES AND WALK OUT.
5. LOPE OVER POLES (RIGHT LEAD).
6. BREAK TO THE JOG, JOG OVER POLES.
7. LOPE OVER POLES (RIGHT LEAD).
8. BREAK TO THE JOG, JOG OVER POLES.
9. LOPE OVER POLES (LL).
10. BREAK TO THE JOG, JOG THROUGH SERPENTINE, JOG OVER POLES.
11. STOP OR BREAK TO THE WALK, WALK INTO BOX, EXECUTE A 360 TURN EITHER WAY, WALK OUT BOX.
12. WALK OVER POLES.

2022 FT WORTH STOCK SHOW

APHA TRAIL

WALK TROT TRAIL 5-10 YO AMATEUR WALK TROT TRAIL



1. JOG OVER POLES, JOG UP TO GATE.
2. WORK GATE LEFT HAND.
3. BACK AN "L" BETWEEN POLES AND WALK OUT.
4. JOG OVER POLES.
5. JOG OVER POLES.
6. JOG OVER POLES.
7. BREAK TO THE WALK, WALK THROUGH SERPENTINE, WALK OVER POLES.
8. WALK INTO BOX, EXECUTE A 360 TURN EITHER WAY, WALK OUT BOX.
9. WALK OVER POLES.

2022 FWSSR Paint Horse Show

Western Horsemanship (Walk Trot 5-10)

Show Date: January 28,29,30 2022

www.HorseShowPatterns.com

www.HorseShowPatterns.com

Be ready at A.

1. Walk approximately 2 horse lengths from A.
2. Jog to B. Jog a square corner around B.
3. Extend the jog to C.
4. Jog a circle at C.
5. Stop at C and back approximately one horse length.

Follow the instructions of your ring steward.

Walk	-----
Jog	- - - - -
Extended Jog	— — — — —
Lope	—————
Leg Yield	
Lead Change	— / —
Back	←←←←← ←←←←←
Marker	⊙
Sidepass	←←←←←

[WH/WT-63]

Pattern Provided by:

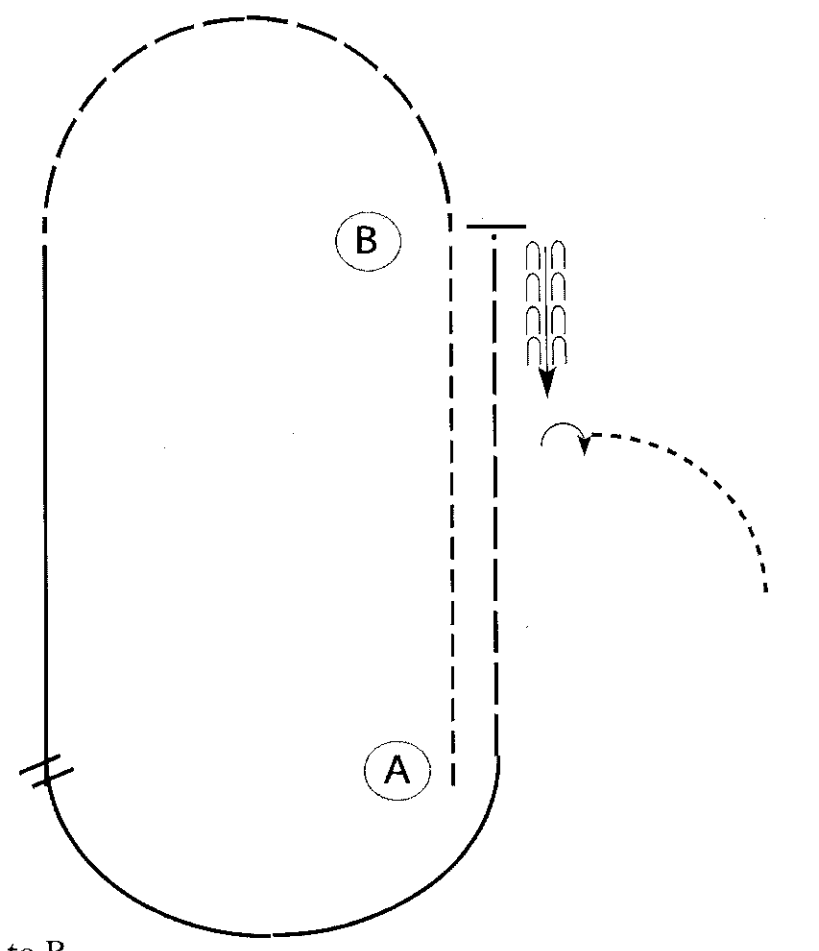
FWSSR

2022 FWSSR Paint Horse Show

Western Horsemanship (Novice Youth & Novice Amateur)

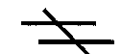

Show Date: January 28,29,30 2022

www.horsheshowpatterns.com



Be ready at A.

1. Jog from A to B.
2. Extend the jog in a half circle.
3. Lope on the right lead until even with A.
4. Perform a simple lead change.
5. Lope on the left lead until even with A.
6. Extend the jog to B.
7. Stop, back one horse length and perform a 90 degree turn to the right.
8. Pattern is complete. Exit at the walk

Walk	-----
Jog	- - - - -
Extended Jog	— — — —
Lope	
Lead Change	
Back	
Marker	(B)

www.horsheshowpatterns.com

[WH/2-109]

Pattern Provided by:

FWSSR

2022 FWSSR Paint Horse Show

Western Horsemanship (13 & Under)

Show Date: January 28,29,30 2022

www.HorseShowPatterns.com

Be ready at A.

1. Jog from A to B.
2. Extend the jog in a half circle.
3. Lope on the left lead until even with A.
4. Jog to B.
5. Stop, back one horse length and perform a 90 degree turn to the right.
6. Pattern is complete. Exit at the walk.

Walk
Jog	-----
Extended Jog	- - - - -
Lope	
Lead Change	///
Back	←
Marker	ⓑ

www.HorseShowPatterns.com

[WH/1-109]

Pattern Provided by:

FWSSR

2022 FWSSR Paint Horse Show

Western Horsemanship (Amateur, Masters, Youth 18 & Under)

Show Date: January 28, 29, 30 2022

www.HorseShowPatterns.com

www.HorseShowPatterns.com

Be ready at A.

1. Jog from A to B.
2. Extend the jog in a half circle.
3. Lope on the right lead until even with A.
4. Perform a simple lead change.
5. Lope on the left lead until even with A.
6. Extend the jog to B.
7. Stop, back one horse length and perform a 450 degree turn to the right.
8. Pattern is complete. Exit at the walk.

Walk	-----
Jog	- - - - -
Extended Jog	— — — —
Lope	—————
Lead Change	
Back	
Marker	(B)

[WH/3-109]

Pattern Provided by:

FWSSR

2022 FWSSR Paint Horse Show

Western Horsemanship (Walk Trot Amateur)

Show Date: January 28,29,30 2022

www.horsheshowpatterns.com

Be ready at A.

1. Jog from A to B.
2. Extend the jog in a half circle.
3. Continue the extended jog on a straight line until even with A.
4. Jog a half circle then a straight line to B.
5. Stop, back one horse length and perform a 90 degree turn to the right.
6. Pattern is complete. Exit at the walk.

Walk	-----
Jog	- - - - -
Extended Jog	— — — — —
Lope	
Lead Change	⋈
Back	← 33333
Marker	⊙ B

www.horsheshowpatterns.com

[WH/WT-109]

Pattern Provided by:

FWSSR

2022 FWSSR Paint Horse Show

Hunt Seat Equitation (Novice Youth, Novice Amateur, Youth 13 & Under)

Show Date: January 28,29,30 2022

www.HorseShowPatterns.com

www.HorseShowPatterns.com

Be ready before A.

1. Walk to A.
2. Sitting trot halfway to B.
3. Left diagonal trot in a 3/4 circle until even with A.
4. Walk a quarter circle.
5. Canter on the left lead to B.
6. When even with B, trot on the right diagonal in a half circle and a straight line until even with A.
7. Halt when even with A and back approximately one horse length.
8. Walk to exit.

Follow the instructions of your ring steward.

Walk	-----
Trot	- - - - -
Extended Trot	-----
Canter	-----
Leg Yield	
Lead Change	
Back	
Marker	(B)
Sidepass	←-----
Hand Gallop	-----

[HSE/2-59]

Pattern Provided by:

FWSSR

2022 FWSSR Paint Horse Show

Hunt Seat Equitation (Amateur, Masters, Youth 18 & Under)

Show Date: January 28,29,30 2022

www.HorseShowPatterns.com

www.HorseShowPatterns.com

Be ready before A.

1. Walk to A.
2. Sitting trot halfway to B.
3. Left diagonal trot in a half circle.
4. Canter on the right lead until even with A.
5. Walk a quarter circle.
6. Canter on the left lead to B and in a half circle as shown.
7. When even with B, trot on the right diagonal in a straight line until even with A.
8. Halt when even with A and back approximately one horse length.
9. Walk to exit.

Walk	-----
Trot	- - - - -
Extended Trot	-----
Canter	-----
Leg Yield	
Lead Change	— / —
Back	←←←←←
Marker	(B)
Sidepass	←←←←←
Hand Gallop	-----

Follow the instructions of your ring steward.

[HSE/3-59]

Pattern Provided by:

FWSSR

2022 FWSSR Paint Horse Show

Showmanship at Halter (Walk Trot 5-10)

Show Date: January 28,29,30 2022

w w w . H o r s e S h o w P a t t e r n s . c o m

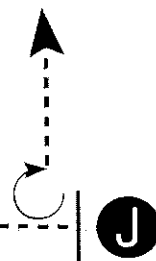
w w w . H o r s e S h o w P a t t e r n s . c o m

Be ready at A.

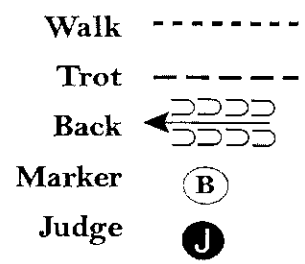
1. Trot from A past B and trot a square corner toward Judge.
2. Trot halfway to the Judge as shown.
3. Walk halfway to Judge and set up for inspection.
4. When dismissed, perform a 270 degree turn and exit at a walk.

B

A



J



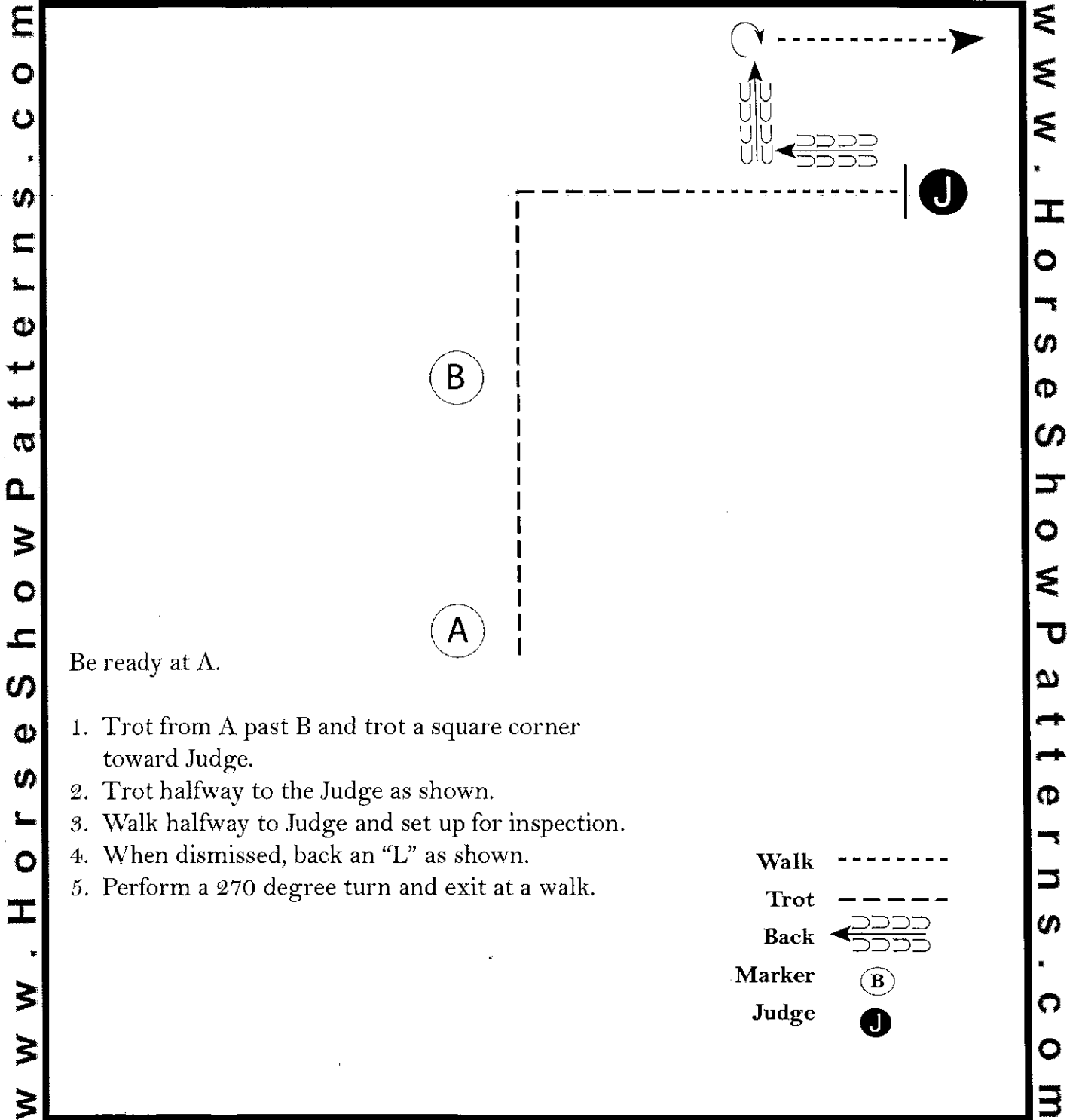
[S/WT-106]

Pattern Provided by:
FWSSR

2022 FWSSR Paint Horse Show

Showmanship at Halter (Novice Youth, Novice Amateur, Youth 13 & Under)

Show Date: January 28,29,30 2022



[S/1-106]

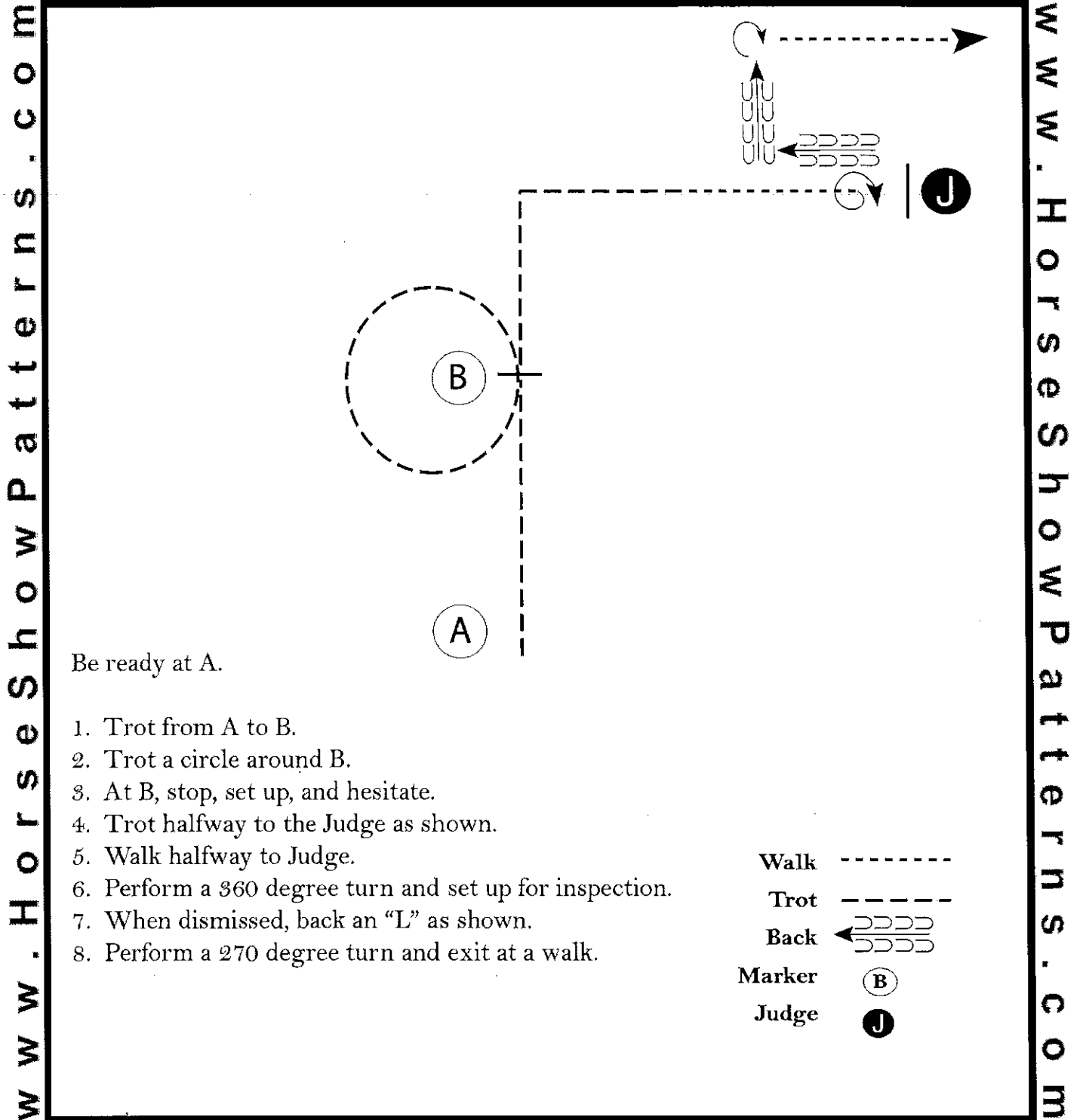
Pattern Provided by:

FWSSR

2022 FWSSR Paint Horse Show

Showmanship at Halter (Amateur, Masters, Youth 18 & Under)

Show Date: January 28, 29, 30 2022



[S/3-106]

Pattern Provided by:

FWSSR

2022 FWSSR Paint Horse Show

Showmanship at Halter (Amateur Walk Only)

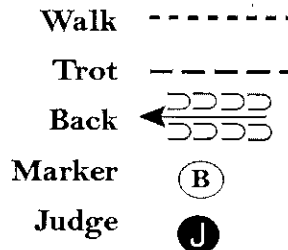
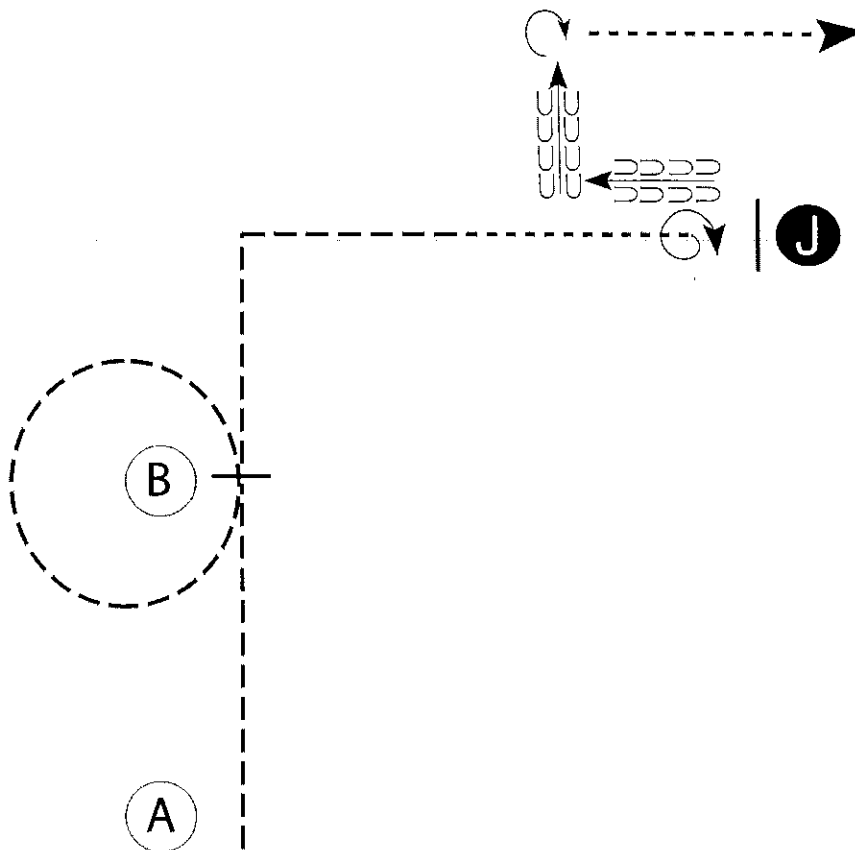
Show Date: January 28,29,30 2022

w w w . H o r s e S h o w P a t t e r n s . c o m

w w w . H o r s e S h o w P a t t e r n s . c o m

Be ready at A.

1. Trot from A to B.
2. Trot a circle around B.
3. At B, stop, set up, and hesitate.
4. Trot halfway to the Judge as shown.
5. Walk halfway to Judge.
6. Perform a 360 degree turn and set up for inspection.
7. When dismissed, back an "L" as shown.
8. Perform a 270 degree turn and exit at a walk.



[S/3-106]

Pattern Provided by:

FWSSR