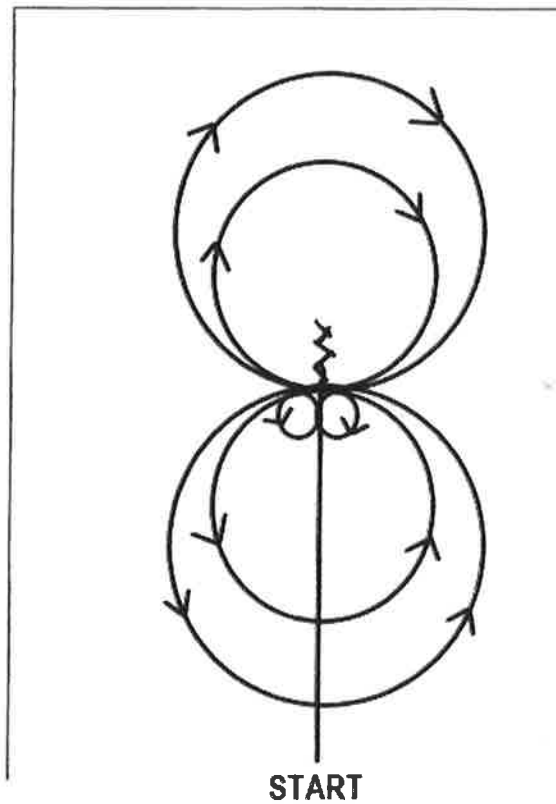


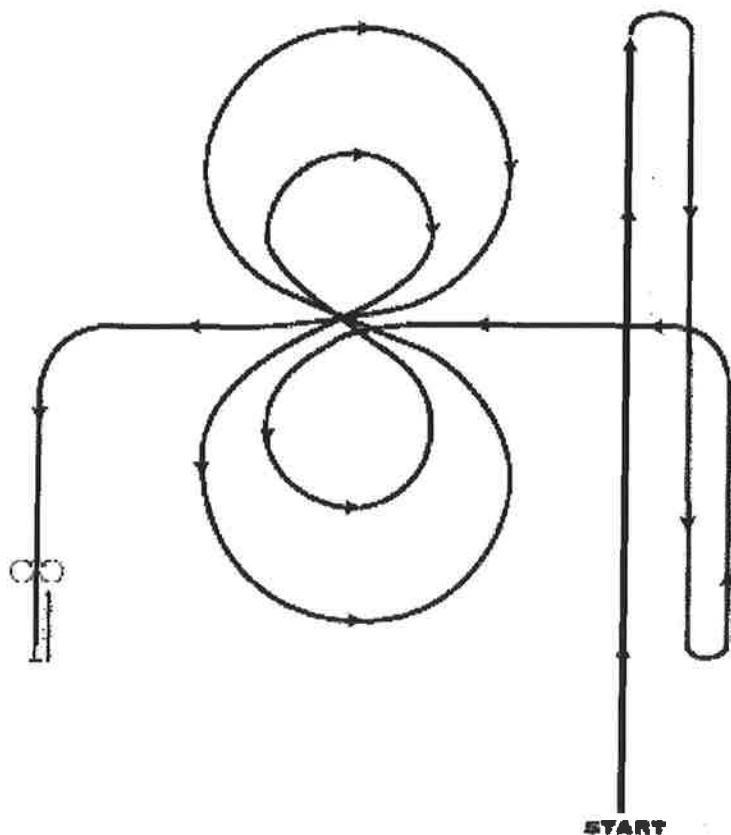
Pattern for LW Princess
4-H REINING PATTERN #3.



1. Run up the middle of the arena, past the center marker and do a sliding stop.
2. Back to the center of the arena or at least ten feet. Hesitate
3. Complete one full spin to the right.
4. Complete one and one quarter spins to the left so that horse is facing the left wall or fence.
5. Beginning on the left lead, complete two circles to the left: the first circle small and slow; the next circle large and fast. Change leads at the center of the arena.
6. Complete two circles to the right: the first circle small and slow; the next circle large and fast.
7. Stop in the center of the arena and hesitate to show completion of pattern.
8. Complete a presentation ride around the arena.
9. Stop at gate and exit.

Pattern for Princess and Queen Contestants

WORKING RANCH HORSE PATTERN II



1. Start on right side of arena and lope to far end of arena.
2. Stop and rollback to the right. Continue to other end of arena.
3. Stop and rollback to the left. Continue to center of arena.
4. Lope small, slow circle to left. Change leads.
5. Lope right circle with medium speed. Change leads.
6. Lope large fast circle to left. Change leads.
7. Lope large fast circle to right. Change leads.
8. Continue down arena.
9. Stop and back 10 to 15 feet.
10. Do 360-degree spin right or left.
11. Do 360-degree spin opposite direction taken in
12. Hesitate to show completion of pattern.
13. Complete a presentation ride.
14. Report to gate and get flag.
15. Run flag around arena and report back to gate.
16. Exit arena.

NLBRA Cattle Pattern

Since we will be using roping cattle in the cattle work we have decided to change the required work to better fit the cattle being used. A steer will be released from the roping chute to the arena. At this time the contestant must hold the steer at that end of the arena for enough time to demonstrate the ability to hold cattle. After a reasonable amount of time, the contestant shall take the steer down the fence, then she must make a turn with the steer in either direction, at this point contestant may make additional maneuvers at their discretion before then pushing the steer back to the sorting pen to exit the arena. Contestants will be given a minute and a half to complete this. They will be given a 30 second warning and then a time signal. The judge should take into consideration the size of the arena, condition of the ground, and disposition of the cattle in scoring each work. The greater the difficulty of the run, the more credit should be given. The difficulty may be due to the extreme speed or stubbornness of the cow, or the cow's reluctance to move down the fence when sufficiently driven by the contestant. The most controlled cow work, with the highest degree of difficulty, that exhibits good form throughout, should be marked the highest. In the cow work phase, one hand on the horn may be used as well as both hands on the reins. Also, posting during the trot is acceptable.