

# 2023 USDF INTRODUCTORY LEVEL – TEST A

## WALK—TROT

**REQUIREMENTS:**

Free walk  
Medium walk  
Working trot rising  
20 meter circle  
Halt through walk

**PURPOSE:** To introduce the rider and/or horse to the sport of dressage, confirming that they are beginning to develop an understanding of correct dressage basics. The horse should be ridden freely forward in a steady tempo and clear rhythm, accepting contact with the bit. An understanding of test accuracy and geometry should be demonstrated.

# NO.

TEST		DIRECTIVE IDEAS	POINTS	COEF	TOTAL	REMARKS
1.	A Between X & C	Enter, working trot rising  Medium walk	Regularity, quality of trot; straightness, willing, calm transition.  Regularity, quality, of walk			
2.	C M	Track right  Working trot rising	Bend and balance; willing, calm transition			
3.	A	Circle right 20 meters, working trot rising	Regularity; shape and size of circle; bend; balance			
4.	K-X-M	Change rein, working trot rising	Regularity of trot; straightness; bend and balance in corner			
5.	C	Circle left 20 meters, working trot rising	Regularity; shape and size of circle; bend; balance			
6.	Between C & H	Medium walk	Willing, calm transition; regularity, quality			
7.	H-X-F	Free walk	Regularity, reach and ground cover with over track of free walk allowing complete freedom to stretch the neck forward and downward			
8.	F-A  A	Medium walk  Down centerline	Regularity, quality, willing, calm transition, bend and balance in turn Straightness on centerline.			
9.	X	Halt and salute	Straightness; attentiveness; immobility (min. 3 seconds)			

Leave arena in free walk. Exit at A.

**COLLECTIVE MARKS:**

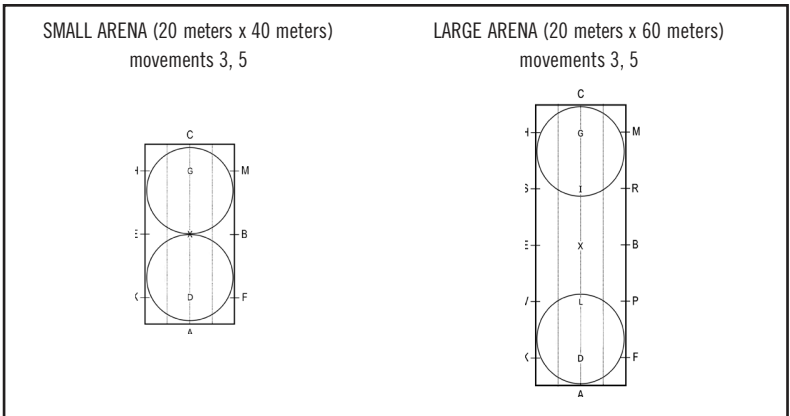
Gaits (freedom and regularity).			
Impulsion (desire to move forward with suppleness of the back and steady tempo).			
Submission (acceptance of steady contact, attention, and confidence).		2	
Rider's position (keeping in balance with horse).			
Rider's effectiveness of aids (correct bend and preparation of transitions).			
Geometry and accuracy (correct size and shape of circles and turns).			

160

**FURTHER REMARKS:**

**SUBTOTAL** \_\_\_\_\_  
**ERRORS** ( - ) \_\_\_\_\_  
**TOTAL POINTS** \_\_\_\_\_

To be deducted  
 Errors of the course and omissions  
 are penalized 1st Time = 2 points  
 2nd Time = 4 points  
 3rd Time = Elimination



©2022 United State Dressage Federation. All Rights reserved. Reproduction without permission is prohibited by law. USDF is not responsible for any errors or omissions in the publication nor for the use of its copyrighted materials in any unauthorized manner.

UNITED STATES DRESSAGE FEDERATION™

**2023**

**INTRODUCTORY LEVEL – TEST A**

**WALK—TROT**

USDF  
INTRODUCTORY  
LEVEL TEST

**A**

This unique series of tests provides an opportunity for the horse and/or rider new to dressage to demonstrate elementary skills. The tests have been designed to encourage correct performance and to prepare the horse for the transition to the USEF tests.

**SUGGESTED SCHEDULING TIME**  
 5:00 Standard Arena  
 4:00 Small Arena  
 (Possibly longer for schooling shows)

**INSTRUCTION:**

- All trot work to be ridden rising.
- Transitions from walk to trot and trot to walk may be performed through sitting trot with the objective of performing a smooth transition.
- Turns from centerline to long side and long side to centerline should be ridden as a half circle, touching the track at a point midway between the centerline and the corner, and vice versa.

**COMMENT:**  
 Horses should be ridden on a light but steady contact, with the exception of the free walk in which the horse is allowed complete freedom to stretch neck forward and downward.

United States Dressage Federation™  
 4051 Iron Works Parkway • Lexington, KY 40511  
 Phone (859) 971-2277 • Fax (859) 971-7722  
 usdf@usdf.org • www.usdf.org



Name of Competition \_\_\_\_\_

Class \_\_\_\_\_

Date \_\_\_\_\_

Number and Name of Horse \_\_\_\_\_

Name of Rider \_\_\_\_\_

MAXIMUM POSSIBLE POINTS: 160

**FINAL SCORE**

Points \_\_\_\_\_ Percent \_\_\_\_\_

Name of Judge/Position \_\_\_\_\_

Signature of Judge \_\_\_\_\_