

Summary of Information from ASABE AD730: Dec 2012 Three Point Linkage

Table 1 – Categories of rear-mounted three-point linkages

Category	PTO power at rated rotational frequency of engine ^a kW
1N	Up to 35
1	Up to 48
2N / 2	30 to 92
3N / 3	60 to 185
4N / 4	110 to 350

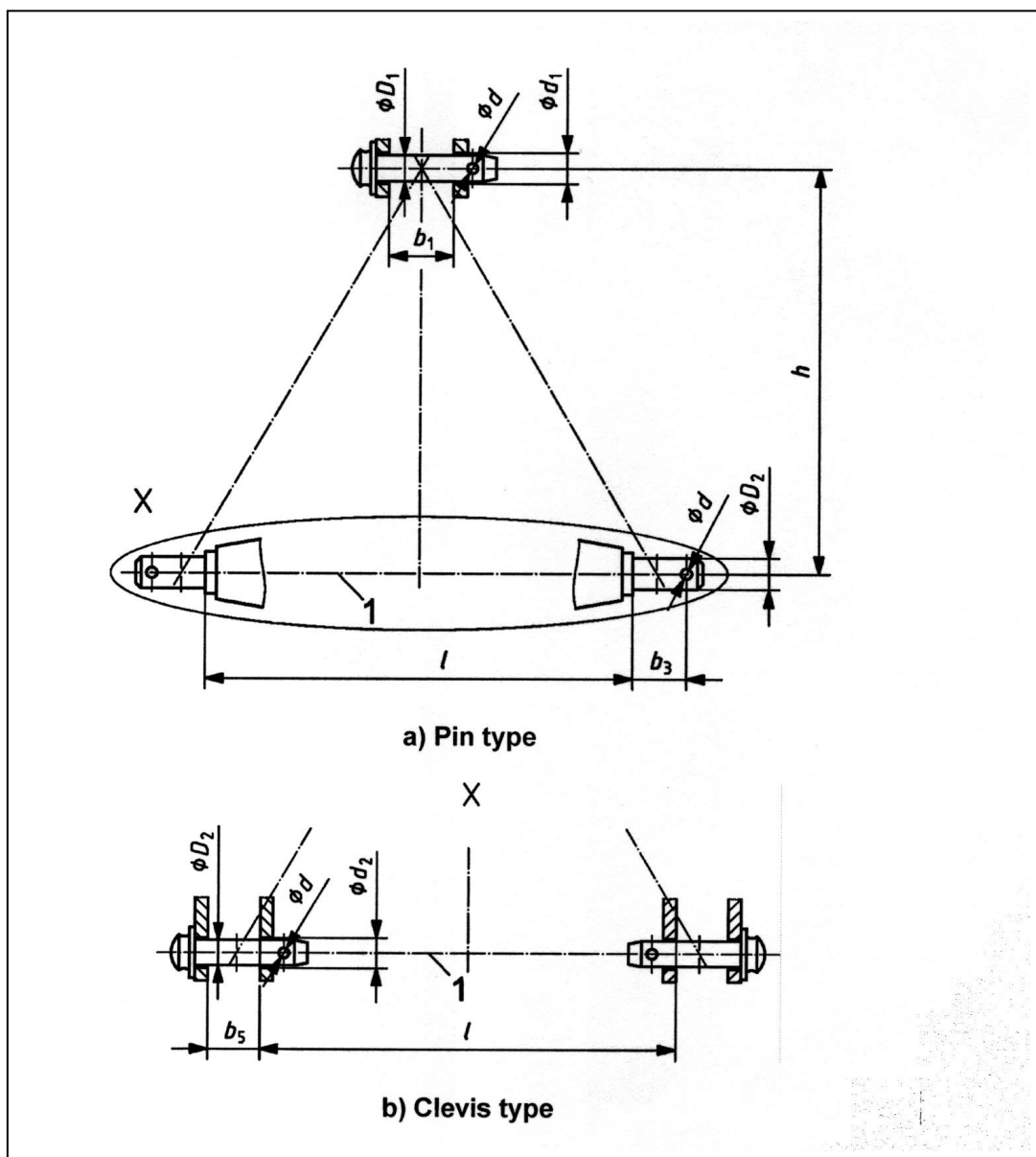
^a Determined in accordance with ISO 789-1.

To convert kW to HP
(746 W/HP)

Example 35kW x 1000 = 35000 W
35000 W / 746 W = **46.91 HP**

Note: The N applies to narrow-track agricultural wheeled tractors or specialized implements.

Figure 4 – Dimensions related to implement hitch attachments



The dimensions are given in Table 4

Table 4 – Dimensions related to implement hitch points

Dimensions in millimetres

Dimension See Figure 4	Description	Category							
		1N	1	2N	2	3N	3	4N	4
Upper hitch attachment									
D_1	Diameter of hitch pin	$19_{-0,08}^0$	$19_{-0,08}^0$	$22,5_{-0,13}^0$	$22,5_{-0,13}^0$	$31,75_{-0,2}^0$	$31,75_{-0,2}^0$	$45_{-0,08}^0$	$45_{-0,08}^0$
b_1	Width between inner faces of yoke	52 min.	52 min.	52 min.	52 min.	52 min.	52 min.	65 min.	65 min.
Lower hitch attachment									
D_2	Diameter of hitch pin	$22_{-0,2}^0$	$22_{-0,2}^0$	$28_{-0,2}^0$	$28_{-0,2}^0$	$36,6_{-0,2}^0$	$36,6_{-0,2}^0$	$50,8_{-1,1}^0$	$50,8_{-1,1}^0$
b_3	Linchpin hole distance	49 min.	49 min.	49 min.	49 min.	52 min.	52 min.	68 min.	68 min.
b_5	Clevis width ^a	65_{0}^{+2}	65_{0}^{+2}	65_{0}^{+2}	65_{0}^{+2}	$72,5_{0}^{+2}$	$72,5_{0}^{+2}$	$96,5_{0}^{+2}$	$96,5_{0}^{+2}$
l	Lower hitch point span ^b	$400 \pm 1,5$	$683 \pm 1,5$	$683 \pm 1,5$	$825 \pm 1,5$	$825 \pm 1,5$	$965 \pm 1,5$	$952^c \pm 1,5$	$1\ 166,5 \pm 1,5$
Other dimensions									
d	Diameter for linchpin hole								
	For upper hitch pin	12 min.	12 min.	12 min.	12 min.	12 min.	12 min.	17 min.	17 min.
	For lower hitch pin	12 min.	12 min.	12 min.	12 min.	17 min.	17 min.	17 min.	17 min.
h	Mast height ^d	$360 \pm 1,5$	$460 \pm 1,5$	$610 \pm 1,5$	$610 \pm 1,5$	$685 \pm 1,5$	$685 \pm 1,5$	$685 \pm 1,5$	$1\ 100 \pm 1,5$
^a Dimensions may be enlarged to 72,5 mm for categories 1N, 1, 2N and 2 on implements connected to a coupler frame according to ISO 11001-1. ^b It could be necessary to vary these dimensions in case of specialized implements. ^c If U-frame couplers according to ISO 11001-1 are used, dimension l should be 920,5 mm \pm 1,5 mm. ^d If U-frame couplers according to ISO 11001-1 are used, dimension h should be in line with the upper hook vertical spacing as specified in ISO 11001-1.									

Dimensions are given in millimeters in Table 4

There are 25.4 mm per inch.

Example: To convert Upper hitch attachment D_1 (Diameter of hitch pin), 19 mm to inches: $19/25.4 = 0.748$ **or 0.75 Inches.**

See ASABE AD739:DEC2012 *Rear-mounted three-point linkage* Standard for additional information including more tables and figures