



40th District Agricultural Association Yolo County Fair

1125 East Street, Woodland CA 95776

(530) 402-2222 | www.yolocountyfair.net | derby@yolocountyfair.net

2026 Truck & SUV Demo Derby Rules

All rules are subject to the interpretation of the officials, any equipment that the officials consider not in the intent of the rules will be considered illegal for competition. In the interest of fairness, the rules may be adjusted to create a balance in competition.

The official's decisions are FINAL! Winner will be determined by the last truck running.

Tech and Rule Questions: Yolo County Fairgrounds (530) 402-2222 or derby@yolocountyfair.net

Safety:

1. Anyone entering the pit area must display a pit pass and show valid ID.
2. Persons 16 or 17 years of age will need a parent to sign the Notice of Non-Responsibility form.
3. No Open Toe Shoes allowed in the pits.
4. No animals allowed in pit areas.
5. Keep your pit area clean, remove your trash.
6. Alcohol, Drugs, Firearms, Verbal, or Physical abuse will not be tolerated.

Driver Rules:

1. All injuries must be reported to track officials no matter how minor.
2. Regulation racing crash helmets must be worn by the driver during the entire event.
3. Long sleeve shirts mandatory, no shorts
4. Seat belts must remain buckled during the event.
5. Drivers are to stay in their vehicle during the entire event, except when directed by officials.
6. Drivers are only allowed in the arena during and after event. **Pit crew in the arena may disqualify the driver**
7. Driver's Meeting will be attended by all holding a pit pass (Mandatory)
8. Drivers may be disqualified for:
 - a. Sandbagging, (staying in the background and doing little hitting)
 - b. Being hooked to another truck too long or not making contact with another truck
 - c. Drivers' door contact or hitting vehicle of driver that has waved off.
 - d. Teaming will not be allowed.
 - e. Being timed out for more than 2 minutes, you will be required to shut off your engine
 - f. Vehicle condition (Anything that endangers participants) will not be allowed to run.
 - g. Driver or Pit Crew Behavior can cause your vehicle to be removed from the event.
 - h. Drinking or fighting in pit area by driver or crew at any time will be removed from the fairgrounds
9. There is a \$200 cash protest fee. This must be done by the driver only. Protest must be in writing, accompanied by the \$200 protest fee and be given to Head Official. If the complaint is found to be invalid, the money is not refunded. Protest in writing must be filed before the final inspection after derby.

Vehicle Rules:

1. The Truck/SUV Derby is open to any full-size American made ½ ton or ¾ ton pickup trucks or SUV's. Crew or King Cab trucks are allowed. 4 X 4 trucks are allowed but you cannot run the front driveline. **No 1 tons!** No dually's or military vehicles. Stock truck beds only, no utility boxes. Previously run pickup trucks are allowed if they meet the rules.
2. Remove all glass, plastic, chrome, exterior mirrors, lights, grills, gas tanks, trailer hitches, rear seats, and flammable material. All preparations must be done prior to coming to the event.
3. Material sizes, unless specified in rule are as follows: Chains ½," Welding filler 3/8" rebar or 2" x ¼" flat strap. All are maximum sizes.
4. Vehicle # MUST be installed on both sides of the car. Min 16" lettering. Numbers Only!! If using a Roof sign 16" x 16" MAX in size.
5. We require that no antifreeze be used in your radiator, only water. Automatic transmission lines must be looped or ran to a cooler inside your cab or bed. Stock gas tanks must be removed, these rules state required position and size.

Bumpers and Brackets

1. You can use any bumper on any truck mounted flat on any vehicle (no wedging).
2. Aftermarket bumpers (Amish, DFC, Drags, Smock Fab, etc.)
3. Bumper seams may be fully welded.
4. Bumpers may be trimmed and/or flipped.
5. All bumpers may be a maximum of 8" x 8", measured on the outside. Bumper cannot go past the width of the fenders and must be square with no sharp points on the ends. Point on the bumper cannot exceed 15" from the back of the bumper to the point, only 1 point per bumper. Must taper from frame rail to center (see image below). All bumper faces must be smooth/flat with no sharp edges. No point on rear bumpers. Bumper must be mounted flat (no wedging)
6. Bumpers may be installed using 6" L x 6" W x ½" thick flat mounting plates, must be welded to the bumper sideways then welded to the bracket. Plates may be welded to the brackets.
7. Brackets may be 14" L x 4" W x ½" thick flat plate or 14" L x 2" x 4" x ¼" thick square tubing/channel or 14" L x 4" x 2" x 3/8" thick angle iron.
8. Front bumpers may have two 18" L x 2" W x ¼" thick flat strap. Straps must be vertical position and welded 6" to the bumper and 6" to the core support to help hold the bumper on.
9. No angle/corner gussets on bumper brackets to the bumper.
10. The Maximum length of homemade bracket must be 14 inches long front and rear.
11. Homemade brackets may only be welded to the outside of the frame, unless they have a steering box on outside, you can weld them on inside of the frame.
12. Bumpers in rear of truck may be welded to the body up to 48 inches, ½" thick filler rod or 2" x ¼" thick flat strap may be use, no added metal allowed.
13. Bumpers may be no higher than 21" from the bottom of the bumper. Rear bumper height can be no lower than 16" to the bottom of the bumper / frame. Used trucks bumper height; will be at the official's discretion.

Radiator and AC Condenser

1. Radiators must be stock automotive radiators. Radiators must be brass, copper or aluminum.
2. No homemade steel radiators or steamtanks.
3. **The radiator must be in stock position. Radiators may not be welded in.**
4. Ratchet straps, bailing wire or bolts may be used to secure the radiator. **No radiator protectors.**
5. You may only use one AC condenser in front of the radiator, if used.
6. The AC condenser may be bolted with 4, 3/8" thick bolts, with washers no bigger than 1 inch or welded 6 inches per side with 2" x ¼" flat strap no longer than 3 inches and no more than 4 per AC Condenser.

Engine, Cradle and Transmission

1. Engine swaps are allowed. Engine setbacks are allowed no more than 2 inches past the firewall of truck.
2. You may cut a hole, 12" L x 12" W in the fire wall for the distributor. Hole must be properly covered.
3. You can weld 4" x 4" x 1/4 inch square tubing across frame rails to make a cross member to weld the motor to the square tubing can only be weld on the inside of frame rails not on bottom or top of the frame rails.
4. Full engine cradles with distributor guard, **Steel Bell housing/Ultra Bells and Transmission brace are allowed and must all bolt on.**
5. Distributor protectors must have a 6" gap between dash bar and distributor protector
6. Cradles may only be welded to homemade cross member only not to the frame rails.
7. **Transmission brace may only be bolted to cross member only, can not be attached to body and must maintain 4" of clearance off any cage or bracket. Along with a transmission brace, full transmission skid plate/pan protectors may be used. Must only be the size of the pan, and may not be connected or attached to the frame in any way. 2 head straps may be used must be straight down to frame rails cannot be kicked forward or backwards metal sizes cannot be no bigger than 2" x 2" x 1/4 inch angle iron or 2" x 1/4 inch flat strap welded to frame a maximum of 4 inches.**
8. 2 head straps may be used, must be straight down to frame rails, cannot be kicked forward or backwards. Metal sizes cannot be any bigger than 2"x2"1/4 inch angle iron or 2X1/4 inch flat strap welded to frame, a maximum of 4 inches.
9. Electric fuel pumps are allowed, must a shut off/kill switch for fuel pump.
10. Transmission coolers are allowed and may be mounted in cab or bed area.
11. Homemade cross members are allowed maximum 2" x 2" x 1/4" thick square tubing. No bolting the cross member for the transmission to the body on a full frame truck.
12. Standard transmissions are allowed.
13. ~~No transmission skid plates are allowed. Transmissions pans may be homemade with metal no thicker than a 1/4 inch and may not extend pass the transmission bolts. It may not connect to the ultra bell, transmission tail shaft, and must be 2 inches from the cross member.~~
14. Slider drive lines are allowed.
15. **Aftermarket gas or brake pedals and cable shifters are allowed. May only be bolt to the floor. Cable shifter may be bolt to the floor or transmission.**

Suspension

1. Stiff suspension is allowed. A-frames may be welded maximum 8 inches per side to the frame, with 2" x 1/4" flat strap on trucks with a arms.
2. The center and sides of A-frame may be beat down and welded, if as long you are able to still see underneath it.
3. Tie rods and drag links can be reinforced with metal. No welding metal in the springs to raise the truck. Spring/Twist spacers may be used.
4. No re-enforcing suspension. Suspension parts may be swapped if they bolt on, and they must be stock truck parts.
5. Aftermarket weld in ball joints and aftermarket tie rods are allowed. No aftermarket spindles.
6. Leaf springs must be stock. No after mark springs or shortened springs if you are missing leaf springs you may use other leaf springs equal to what's missing to replace what is missing.
7. No leaf on top on main leaf. No extra leafs, no tape or welding on springs, no motor home leaf springs. No coil leaf conversion.
8. 4 spring clamps per spring are allowed front and rear, no wider than 2 1/2 inches, no welding clamps to the frame. No welding leaf springs at all.
9. You may have 2 bump stops in the front and rear, no bigger than 2" x 2" x 1/4" square tubing, welded to front axle to the frame and rear end to the frame with 1/4 inch weld top and bottom must be vertical with no add metal.

Hood

1. You can use 4 hood bolts with a maximum 6" x 6" x 1/4" thick gussets, bolts may only be a maximum of 1 inch thick, washers may be no bigger than 6" and must be free floating.
2. If hood bolts are not used, 4 chains may be used, no more than 1/2 inch thick is allowed.
3. 2 All threads 1" thick with no pipe or square tubing may be used to replace front body bolts and must go vertically through the hood. If you do not go through the body bolt location you may weld a maximum of 2", with no filler rod or added metal to the side the frame next to the body bolts, then vertically through the hood. You may weld the all threads to the top of the core support with a 4" x 4" x 1/4" flat plate only.
4. The 4 hood bolts or the 4 chains can be used in combination with the all threads.
5. 8, 3/8" thick bolts, with washer no bigger than 1" are allowed to bolt the inner to the outer hood, when hole is cut out for headers and carburetor.
6. A hole is required in hood above the carburetor in case of a fire.
7. No welding the inner to the outer of hood.
8. Hood must open for inspection.

Safety Bars

1. Side bars are mandatory. 2 Side bars may be no bigger than window to floor C channel, side bars may touch the fire wall and be welded to it and welded to rear of cab, if you are running 4 door truck or SUV side bars may go no further than middle of second door.
2. No more than 3 cross bars, no bigger than 6" x 4" x 1/4" thick square tubing. One in front where the dash goes and must be at least 6 inches from the fire wall. The other bar must be placed behind the driver's seat. Front dash bar must be a minimum of 4" off the floor or transmission brace
3. The front bars may have two kickers going to frame and welded to top of frame only, not to exceed center of front axle and must be no bigger than 2" x 2" x 1/4" thick square tubing. Cross bars may be connected to frame, 4x down bars welded to top of frame only with 2" x 2" x 1/4" thick square tubing.
4. Halo bars are mandatory. Halo bars must be in a vertical position (90°). Halo bars may be welded to side bars or cross bars 2" x 2" x 1/4" thick square tubing may be used as a bar. Halo bars may not be welded to roof, and it may be bolted with 4 - 5/8" bolts with washers. Halo bars above the cab must have 2 kickers from halo bar down to frame at an angle and must be welded to top of frame with 4" x 4" x 1/4 inch thick plate under square tubing between front leaf spring hanger and rear end with 2" x 2" x 1/4" square tubing. Same goes for SUV's, extra cabs for kickers and halo bar rule.
5. 2 front window bars are mandatory. Bars must be positioned in the window seam area. 2-inch maximum material may be used as a bar. You may use 4" x 4" x 1/4" thick flat plate to mount the window bars and may connect to halo bars.
6. Driver's seat may be welded to the floor and cannot be welded or bolted to the frame. No plate is allowed under the driver's seat.

Batteries

1. 2 automotive type batteries are allowed for the motor. Motor batteries are only allowed on the front passenger floor. Batteries must be properly covered.
2. Third battery may be used for transmission cooler or electric fan only.
3. Batteries must be securely bolted to the floor in a battery tray. No milk crates may be used.
4. No welding battery tray to door bars. No bolting batteries trays to cross member or frame.
5. No battery trays can cover any body bolts.
6. Batteries must be properly covered.

Gas Tank

1. **Gas tank may be no bigger than 10 gallons.**
2. Gas tank may be bolted or chained securely to the floor, but not to the frame.
3. Gas tank must be placed in the cab area or in the bed area behind the cab (see image below).
4. If tank is placed in bed area, it must be bolted to a frame behind the cab between roof kickers. You must build a cage to cover all sides and top with 2" x 2" x 1/4" min, 4" x 4" x 1/4" max, connected to rear cab cross bar
5. Gas Tank Protector (GTP) in the bed will attach to the rear cage bar only and maintain free space (1" minimum) between the square tubing and the bed. GTP may connect to rear kickers. Cross bars may be installed to mount tank and or transmission cooler.
6. GTP must sit inside rear kickers and may be attached to the kicker with one 3" weld to each kicker. GTP is to protect the tank and not strengthen the vehicle in any way
7. Gas tank must be bolted in securely before inspection or you will not run.

Doors

1. All doors may be welded solid with 1/2 inch thick filler rod or 2" X 1/4" thick flat strap.
2. You may add a drivers door plate for safety, must be max 1/4" material and cannot exceed door seam more than 2". No extra metal or plate is allowed on the passenger side door.
3. No welding the inside of the doors.
4. The window opening on the doors may be pinched and welded **or** you may use a 2" X 1/4" thick flat strap to weld and fill the gap. If flat strap option is used, you must drill a hole in it for the thickness to be measured.

Truck Beds, Tailgates and Rear Doors on SUV's

1. Truck Beds may be welded fully to the cab along the outside and the top with 2" X 1/4" flat strap.
2. Tailgates and rear doors on SUV's must be welded with a 2" X 1/4" thick flat strap and only trucks may be welded inside of the tailgate with 2" X 2" X 1/4" thick angle iron, SUV's may not weld inside of back doors.

Rear end

1. Rear end swaps are allowed, no one ton rear ends allowed must be only 8 lugs.
2. Aftermarket rear ends are allowed as long as they meet the rules.
3. Rear end braces are allowed and can only be welded to the rear housing, not to the frame or the springs.
4. Pinion brakes are allowed. Locked rear ends are allowed.
5. Shorting or lengthening trailing arms are allowed, for pinion angle.
6. Chaining rear end to frame is allowed, no welding chain to frame. No welding links together. Chain is only allowed one time around with bolts, not around body, no longer than four feet and half inch thick chain.

Tires and Wheels

1. No mud grips are allowed in rear of Truck or SUV. Wheel size may be no bigger than 16".
2. DOT type tires only, NO Turf, Agricultural or M&S tires on rear axle
3. Valve stem protectors are allowed. Valve stem protectors must be welded securely
4. No zip screwing rims to tire. No bolting rims to tires. No beadlocks.
5. Lug nut size may be no bigger than 1 inch.
6. Wheels must be factory car wheels.
7. Wheels may not be reinforced.
8. You may have full centers 1/2" max on rims and they may be welded in with no filler rod or added metal.
9. Wheel seams may be welded and shortened down to 5" with no filler rod or added metal.

Fender and Quarter panels

1. Fenders may be cut out.
2. Fenders are allowed to have 4, 3/8-inch-thick bolts, with washers no bigger than 1 inch above the tire to secure the inner to the outer.
3. Rear quarter panels over wheel may be cut out and rolled.
4. Quarter panels are allowed to have 4, 3/8-inch-thick bolts, with a washer no bigger than 1 inch.

Body and Frame

1. All body bolts may be replaced with 5/8-inch bolts with 6"X 6" X ¼ inch thick flat plate as washers. All top body washers may be welded down with ¼ inch thick weld. No bottom washers can be welded.
2. Frame repair is allowed, up to 12 inches per side (left and right side of TRUCK or SUV) no bigger than ½" flat strap or plate, plate may be the width of the frame wherever it is welded. If the plate is across from the bumper bracket, it must go towards the firewall not forward. You may break up the plate however you want as long as there is no more than 12 inches per side (left and right side of TRUCK or SUV). Frame repair must be on inner side or outer side of the frame only; you cannot place plate on top or bottom of the frame. Plates must be kept vertical.
3. No pinning the frame or running bolts through existing holes.
4. Frame notching is allowed. No welding the body to the frame. No shaping, hammering of the body or bed on fresh TRUCKS or SUV is allowed. No folded bed rails or tailgates.
5. Frame cannot be painted or any undercoating painting underneath vehicles.

Rust Repair

1. Floors may be repaired with metal the same thickness as it is originally, overlapping of repair may only be up to 1 inch past the rustspot.
2. If you have any other rust repair issues than mentioned above, please contact officials.

Safety

1. Full face helmets are required.
2. A minimum of 1 lap belt is required. Four-point harnesses are allowed.
3. Long-sleeved shirts and pants are required. No short sleeve shirts or shorts are allowed.
4. It is recommended you have a fire extinguisher on hand in pits.
5. No alcohol, firearms, or drugs are allowed in the pits. Zero tolerance will be used.

Truck and SUV numbers

1. The driver and passenger sides of TRUCKS and SUV must have number visible, minimum of 16 inch tall.
2. Roof signs are allowed and not required.

Disqualifications

1. Teaming will result in disqualification for all parties.
2. Sandbaggers will be warned the first time with a flag; the second time will result in disqualification.
3. Driver door hits are not allowed, the first time will be a flag warning, and the second time will result in disqualification.
4. We have a 2-fire rule. Will be discussed at driver's meeting
5. If cars do not pass re-inspection after the main event, it will result in disqualification
6. Unsportsmanlike conduct WILL result in disqualification.
7. Being timed out for more than 2 minutes, you will be required to shut off and getting your stick broken.
8. The driver and or Pit Crew consuming alcohol OR fighting in pit area at any time will be disqualified and removed from the grounds.
9. Drinking or fighting in pit area drivers or pit crew at any time will result in removal from the fairgrounds.
10. Unsportsmanlike conduct to any officials or drivers will NOT be tolerated and will result in an automatic removal from the fairgrounds.

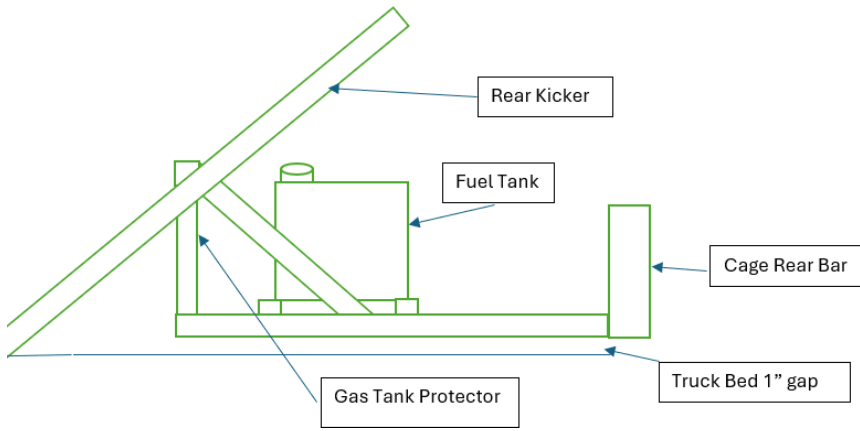
Inspection/Tech

1. You will have 2 chances to pass through tech.
2. If your vehicle is not ready to pass after second tech, you will not be allowed to race.
3. Driver and 1 pit member are allowed to be in the inspection area.
4. Your paint must be dry before your car goes through inspection.
5. If you are in the money, be prepared to have your car pulled out of the arena and be ready for post derby inspection. Please have your torch ready and available.
6. Anything after a Main Event that is found to be illegal on your car will cause disqualification of your car.
7. Any pit people arguing with officials will also be grounds for disqualification and removal from the fairgrounds.
8. Officials word is final.

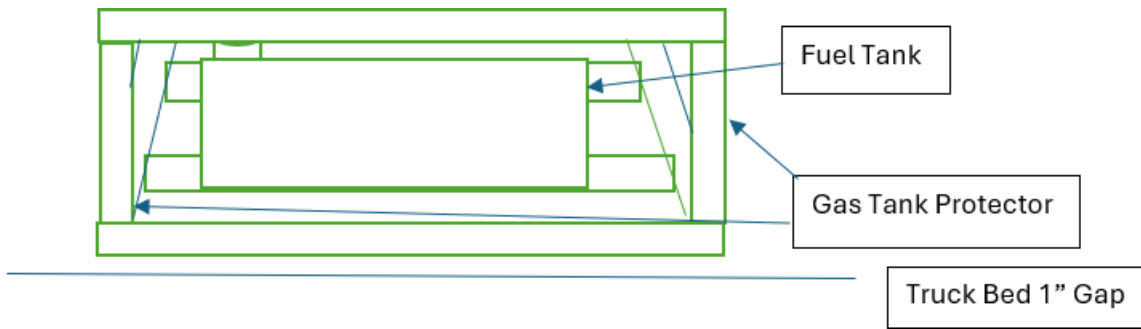
Disclaimer

1. If it is not stated in these rules, it is not allowed.
2. Please contact Yolo County Fair (530) 402-2222, (derby@yolocountyfair.net) if you are unsure about rules.
3. Please do not assume any rules; it may result in disqualification of your car to race.

**Images:
Gas Tank Protector (GTP) Side –**



GTP Rear –



Bumper –

